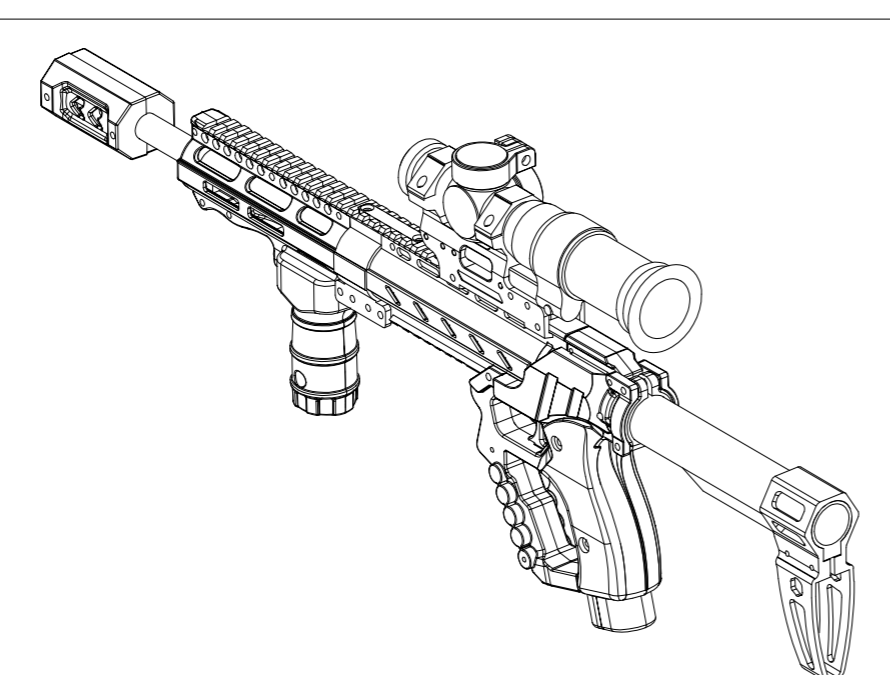
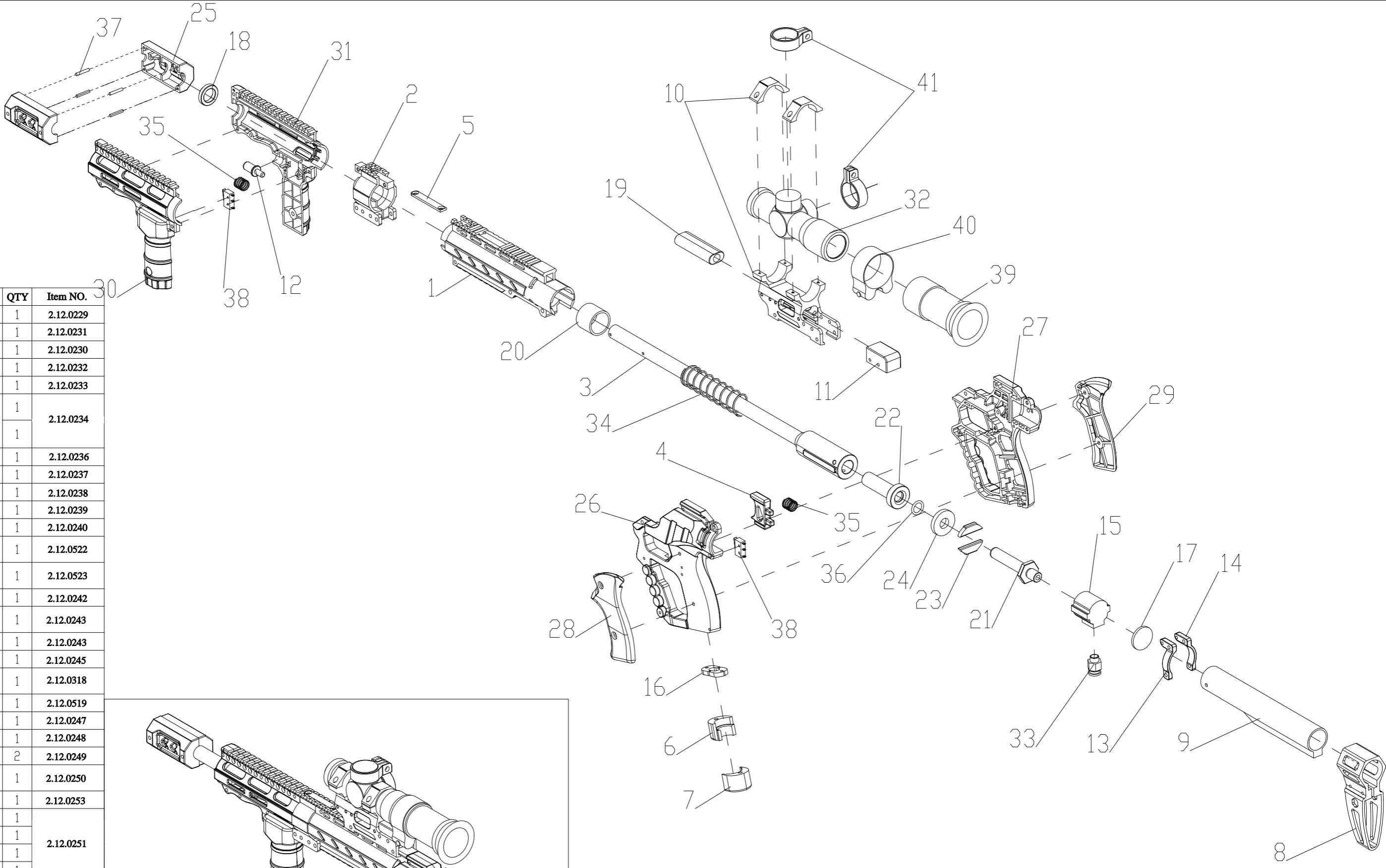


| NO. | Part Name                    | QTY | Item NO.  |
|-----|------------------------------|-----|-----------|
| 1   | Gun Tube                     | 1   | 2.12.0229 |
| 2   | Gun Tube Connector           | 1   | 2.12.0231 |
| 3   | Gun Barrel                   | 1   | 2.12.0230 |
| 4   | Trigger                      | 1   | 2.12.0232 |
| 5   | Cover Plate                  | 1   | 2.12.0233 |
| 6   | Bellows Fastener Set         | 1   | 2.12.0234 |
| 7   |                              | 1   |           |
| 8   | Rear Bracket                 | 1   | 2.12.0236 |
| 9   | Rear bracket tube            | 1   | 2.12.0237 |
| 10  | Magnifying lens module       | 1   | 2.12.0238 |
| 11  | Magnifying lens baffle       | 1   | 2.12.0239 |
| 12  | Zoom in button               | 1   | 2.12.0240 |
| 13  | Left buttstock guard plate   | 1   | 2.12.0522 |
| 14  | Right buttstock guard plate  | 1   | 2.12.0523 |
| 15  | Air nozzle fastener          | 1   | 2.12.0242 |
| 16  | Fixed aluminium sheet1       | 1   | 2.12.0243 |
| 17  | Gun tube inner ring          | 1   | 2.12.0243 |
| 18  | Gun head inner ring          | 1   | 2.12.0245 |
| 19  | Gun sensor with nylon tube   | 1   | 2.12.0318 |
| 20  | Spring retaining ring        | 1   | 2.12.0519 |
| 21  | Air nozzle                   | 1   | 2.12.0247 |
| 22  | Cylinder wall                | 1   | 2.12.0248 |
| 23  | Limit stop                   | 2   | 2.12.0249 |
| 24  | Rubber stop                  | 1   | 2.12.0250 |
| 25  | Gun silencer head            | 1   | 2.12.0253 |
| 26  | Gun grip 1-Left handle       | 1   | 2.12.0251 |
| 27  | Gun grip 1-Right handle      | 1   |           |
| 28  | Gun grip 1-Left cover        | 1   |           |
| 29  | Gun grip 1-Right cover       | 1   |           |
| 30  | Gun grip 2-Left              | 1   | 2.12.0252 |
| 31  | Gun grip 2-Right             | 1   |           |
| 32  | Magnifying lens              | 1   | 2.12.0254 |
| 33  | Pneumatic quick connector    | 1   | 2.12.0521 |
| 34  | Big spring                   | 1   | 2.12.0330 |
| 35  | Trigger spring               | 2   | 2.12.0329 |
| 36  | O-Ring                       | 1   | 2.12.0520 |
| 37  | Pin                          | 4   | 2.12.0518 |
| 38  | Gun microswitch              | 2   | 2.12.0255 |
| 39  | Eye protection rubber        | 1   | 2.12.0257 |
| 40  | Eye protection rubber mount  | 1   | 2.12.0425 |
| 41  | Scope clap (come with scope) | 2   | 2.12.0524 |



**Assembly Diagram**

# Exploded View Drawing of Rifle Gun